



Clifford & Snell

A division of Signature Ind. Ltd

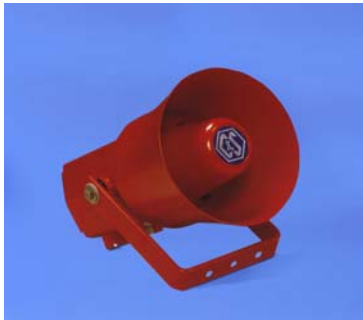
# OPERATING AND INSTALLATION INSTRUCTIONS FOR YO7E FLAMEPROOF YODALARM

Tom Cribb Road, Thamesmead  
London SE28 0BH  
Tel: +44(0)20 8316 4477  
or (0)20 8317 1717  
Fax: +44(0)20 8317 2400  
Email: cliffordandsnell@aol.com  
www.cliffordandsnell.com

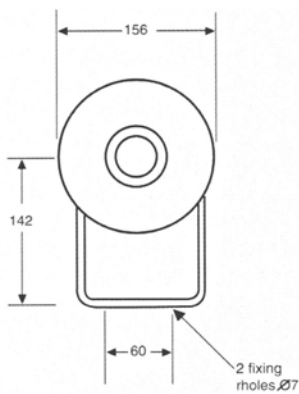
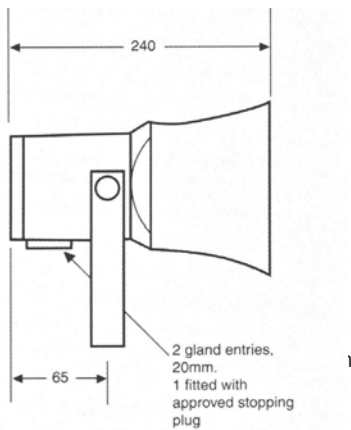
## Explosion Proof Sounder

### MAIN FEATURES

- High sound output
- 2 stage alarm (DC only)
- Independently selectable 2nd stage
- Rugged construction
- Dual cable entry
- Two 20mm gland entries, one fitted with approved stopping plug
- Complies with BS5839 pt1:2002
- Meets PFEER & UKOOA
- Monitoring facility
- LM6 aluminum enclosure
- Weather resistant powder coated red finish
- Adjustable ratchet bracket providing positive setting
- European (ATEX) approvals
- 32 selectable tones meeting international regulations
- Sound selection via DIL switches (see Tone Table on page 3)



### DIMENSIONS (mm)



All dimensions quoted are approximate only and subject to change without notice as are technical features resulting from continual development and improvement

### TECHNICAL SPECIFICATION

- IP67 Rated (BS. EN60529:1992)
- Weight 3.2Kg
- Sound output 110dB (A) @ 1 metre
- Relative Humidity 95% @ 40 Deg C
- Operating Voltage 24Vdc: 18V min & 28V max.  
115Vac: ±10% @ 50-60Hz  
230Vac: ±10% @ 50-60 Hz
- Suitable for zones 1 & 2 with temperature classification of  
T6 @ 40 Deg C  
T4 @ 70 Deg C
- Current consumption
 

24Vdc	300mA
115Vac	84mA
230Vac	42mA

### APPROVAL SPECIFICATION

#### European Standards

- EN.50014:1997 + Amendments 1 & 2
- EN.50018:2000:
- EN.50281-1-1:1998
- Baseefa 03ATEX\*\*\*\*X (IIB)
- Baseefa 02ATEX\*\*\*\*X (IIB+H<sub>2</sub>)
- ATEX Directive 94/9/EC




THESE INSTRUCTIONS MUST BE READ AND UNDERSTOOD BEFORE CARRYING OUT ANY WORK ON THE ALARM.

THESE ALARMS SHOULD ONLY BE INSTALLED BY COMPETENT PERSONNEL

These alarms are certified in accordance with the ATEX Directive 94/9/EC. The certificate numbers and their associated marking are as follows:

**Baseefa03ATEX\*\*\*\*X**

CE<sub>1180</sub>  II 2 GD - EEx d IIB T6 (T4)

**Baseefa03ATEX\*\*\*\*X**

CE<sub>1180</sub>  II 2 GD - EEx d IIB+H<sub>2</sub> T6 (T4)

No alteration to the unit is allowed. In case the unit becomes faulty, It must be returned to the factory.

**‘This equipment is designed and manufactured to protect against other hazards as defined in paragraph 1.2.7 of Annex II of the ATEX Directive 94/9/EC.’**

The YO7E Flameproof yodalarm is available either as a 24Vdc unit or an ac unit. The ac unit has a preset voltage of either 115Vac or 230Vac. The 32 different sounds are selectable by 2 five-way DIL switches (SWA & SWB) mounted on the PCB. A second independent sound is available upon application of the positive supply to the 3<sup>rd</sup> terminal (dc only). Connections for both ac and dc are made on the same three double terminal blocks (See page 4). The terminal block and the DIL switches are both accessed by removal of the four screws holding the back plate.

- A maximum of 10 flameproof yodalarms can be connected in parallel. Further units can be added and powered from a single supply source if connected in 2 or more parallel lines.
- Monitoring by supply Reversal (dc units only)
- Provision is made for a resistor or diode to be connected across terminals 1 & 2 and/or 1 & 3 of the end-of-line alarm to enable the line to be monitored for fault indication on the control panel. The resistor must have a minimum resistance of 3K3 and a minimum wattage of 0.5w. The ac versions cannot be monitored.

# SOUND SIGNALS

<i>sound Signal</i>		<i>Freq.</i>	<i>rept. rate</i>	<i>sound switches</i>					<i>special applications</i>
				<i>1</i>	<i>2</i>	<i>3</i>	<i>4</i>	<i>5</i>	
				SW1, SW2					
1	Alternate two-tone	800-1000	0.5	1	1	1	1	1	Fire Alarms
2	Alternate two-tone	2500-3100	0.5	1	1	1	1	0	Security Alarms
3	Alternate fast two-tone	800-1000	0.25	1	1	1	0	1	Increased Urgency
4	Alternate fast two-tone	2500-3100	0.25	1	1	1	0	0	Security Deterrent
5	Alternate two-tone	440-554	0.4/0.1	1	1	0	1	1	Evacuation Alarm, FRANCE
6	Alternate two-tone	430-470	1.0	1	1	0	1	0	
7	Alternate v.fast two-tone	800-1000	0.13	1	1	0	0	1	
8	Alternate v.fast two-tone	2500-3200	0.07	1	1	0	0	0	
9	Alternate two-tone	440-554	2.0	1	0	1	1	1	Turn-out, SWEDEN
10	Continuous note	700	-	1	0	1	1	0	All Clear, SWEDEN
11	Continuous note	1000	-	1	0	1	0	1	
12	Continuous note	1000	-	1	0	1	0	0	
13	Continuous note	2300	-	1	0	0	1	1	
14	Continuous note	440	-	1	0	0	1	0	
15	Interrupted tone	1000	2.0	1	0	0	0	1	
16	Interrupted tone	420	1.25	1	0	0	0	0	
17	Interrupted tone	1000	0.5	0	1	1	1	1	
18	Interrupted tone	2500	0.25	0	1	1	1	0	
19	Interrupted tone	2500	0.5	0	1	1	0	1	
20	Interrupted tone	700	6/12	0	1	1	0	0	Pre-vital Message, SWEDEN
21	Interrupted tone	1000	1.0	0	1	0	1	1	
22	Interrupted tone	700	4.0	0	1	0	1	0	Air-raid Alarm, SWEDEN
23	Interrupted tone	700	0.25	0	1	0	0	1	Local Warning, SWEDEN
24	Interrupted tone	720	0.7/0.3	0	1	0	0	0	Industrial Alarm, GERMANY
25	Int,fast,rising volume	1400	0.25	0	0	1	1	1	
26	Fast siren	250-1200	0.085	0	0	1	1	0	
27	Rising constant,fall	1000	10/40/10	0	0	1	0	1	Industrial Alarm, GERMANY
28	ISO 8201 Evacuation	800-1000	as std	0	0	1	0	0	International Evacuation Alarm
29	Fast whoop	500-1000	0.15	0	0	0	1	1	
30	Slow whoop	500-1200	4.5	0	0	0	1	0	Evacuation Alarm, Netherlands
31	Reverse sweep	1200-500	1	0	0	0	0	1	Evacuation Alarm, GERMANY
32	Siren	500-1200	3.0	0	0	0	0	0	

switch settings: ON=1 and OFF=0

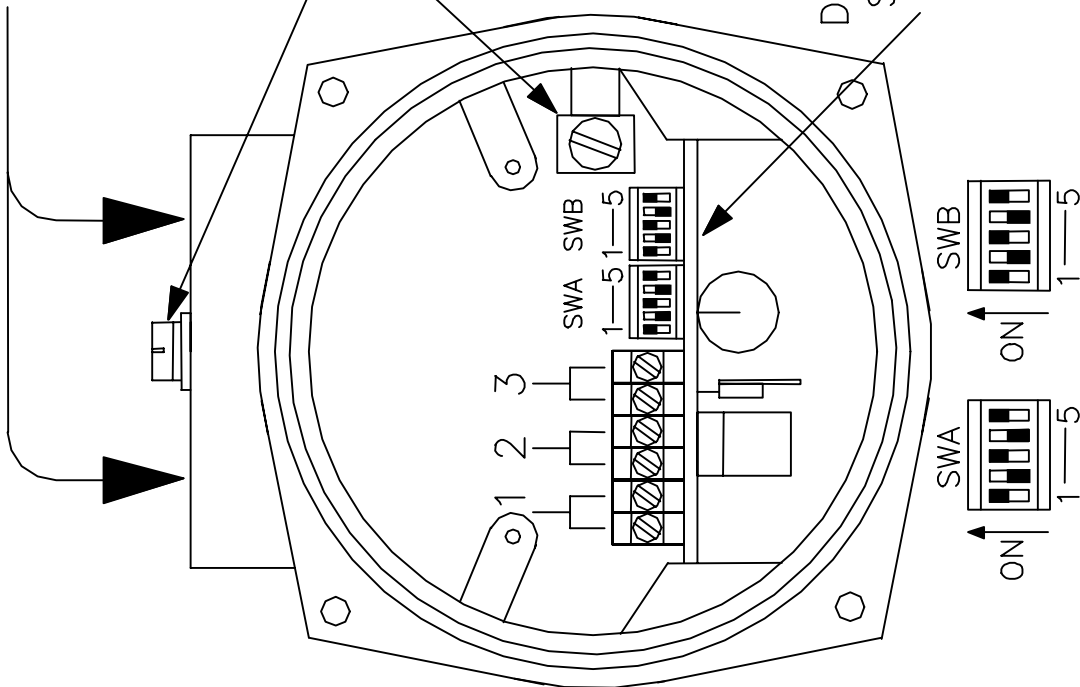
The PFEER sound signals recommended by UKOOA are:-

General Alarm	Sound Signal 15	Interrupted tone 1000 Hz
PAPA	Sound Signal 31	Reverse Sweep 1200-500 Hz
Toxic Gas	Sound Signal 11	Continuous Tone 1000 Hz.

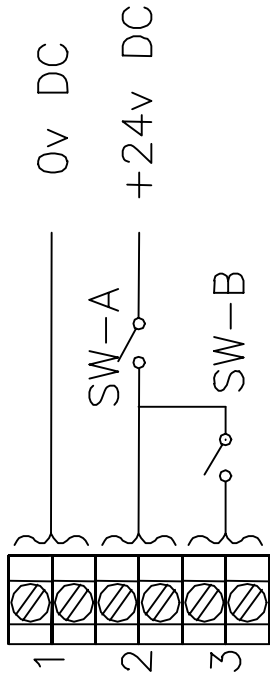
CABLE  
GLAND  
ENTRIES  
M20

EARTHING  
POSITIONS

D.I.L. SOUND  
SELECTION  
SWITCHES



DC TYPE (INC. 2nd STAGE  
SOUND)



SWITCH A FOR 1st SOUND  
SWITCH B FOR 2nd SOUND  
ONLY CONNECT TO A TERMINAL 3  
WHEN +ve VOLTAGE IS APPLIED  
TO TERMINAL 2

AC TYPE (SINGLE STAGE ALARM)

