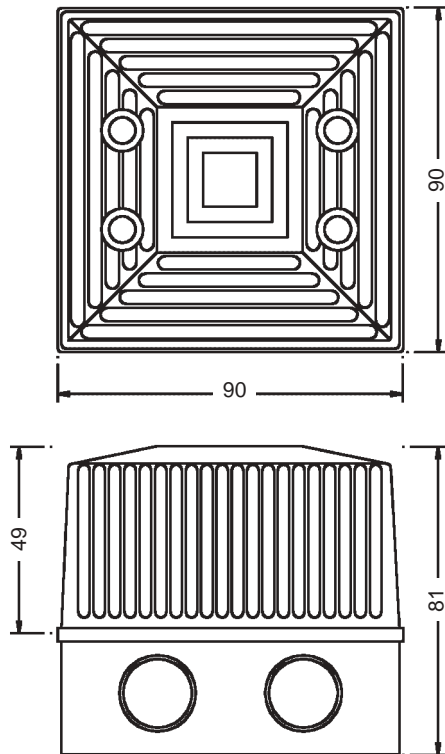


# V4S



V4S

## DIMENSIONS (mm)



All dimensions quoted are approximate only and subject to change without notice as are technical features resulting from continual development and improvement

## Filament Lamp Indicator (Steadylarm)

### MAIN FEATURES

- General purpose indicator for indoor use only
- AC and DC operation
- Lens colours, opal, amber, red, green, blue, clear made from flame retardant polycarbonate plastic.
- Red flame retardant or red/white non flame retardant enclosure available. See ordering instructions.

### TECHNICAL SPECIFICATION

- Operating temperature range -25 to +40 deg C
- Storage temperature range -40 to +70
- Relative humidity 90% @ 40 deg C
- IP44 rated
- Weight : 0.25Kg
- Operating voltage
 

12 Vdc, 24Vdc
115Vac, 230Vac
- Power consumption (Watts)
 

12Vdc	4.5 Joules
24Vdc	3.5 Joules
115Vac	3.5 Joules
230Vac	3.5 Joules
- Life expectancy 1000 – 5000 Hours

### MOUNTING

All units are supplied separate from the back box for ease of installation. The back box must be mounted with the two cable entries at the top or bottom. The back box should be mounted to a reasonably flat surface or to a standard wiring box, using any of the internal mounting holes.

A gasket is supplied, should the surface be uneven, or if the unit is to be used in wet conditions. The installation is completed by fitting the indicator onto the back box by means of the supplied screws.

### HOW TO ORDER

V4S — SL40

Steadylarm

Range (V)	DC Supply		AC Supply	
	12	24	115	230
(W) 4.5	B45			
J 3.5		D35	L35	N35

Lens Colour	AMBER	BLUE	GREEN	OPAL	RED	CLEAR
Ref	A	B	G	O	R	C

Base Colour	FR Red	Red	White
Ref	RF	RN	WN

